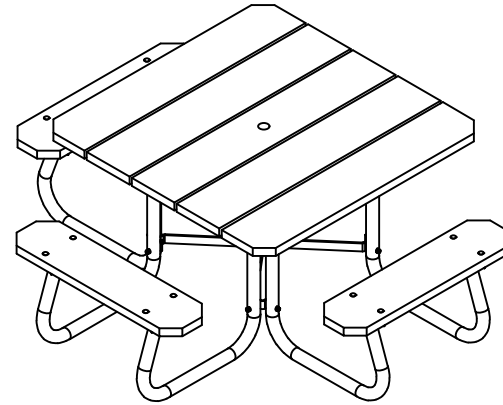
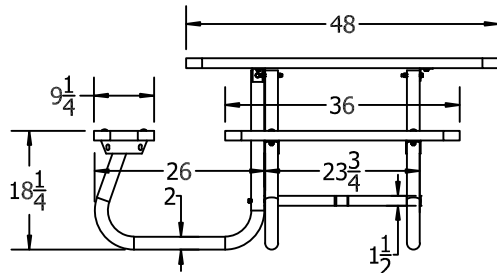


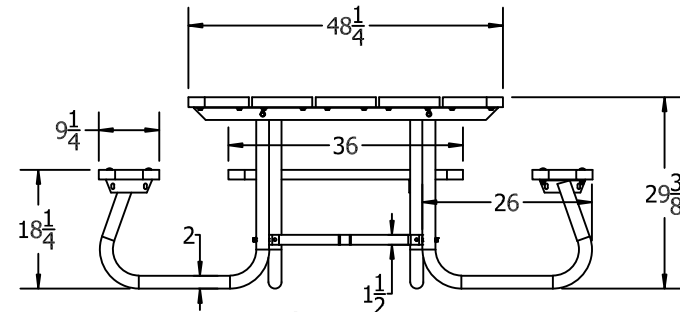
TOP VIEW




3D ISOMETRIC VIEW



FRONT VIEW



SIDE VIEW

- | | | | | |
|---|---|---|---|---|
|  |  |  |  |  |
| BLU | CED | GRA | GRE | RED |
| STANDARD COLORS | | | | |
|  |  |  | | |
| BLA | BRO | WHI | | |
| OPTIONAL COLORS | | | | |

INSERT COLOR CODE IN PRODUCT NUMBER
 BLUE= BLU, CEDAR= CED, GRAY= GRA, GREEN= GRE,
 RED= RED, BLACK= BLA, BROWN=BRO, WHITE=WHI

EXAMPLE: 4FT. CEDAR SQUARE PICNIC ADA TABLE =
 PB 4CEDSQPICADA

4 ft. Square ADA Picnic Table

©COPYRIGHT 2013-2033

THIS COPYRIGHTED MATERIAL IS THE PROPERTY OF FROG FURNISHINGS AND SHALL NOT BE REPRODUCED, PUBLISHED OR DISCLOSED TO OTHERS WITHOUT AUTHORIZATION AND CANNOT BE USED IN ANY WAY AGAINST OR DETRIMENTAL TO JAYHAWK PLASTICS INC. OLATHE, KANSAS USA

Frog Furnishings
 15750 S. Keeler Terrace
 Olathe, KS 66062
www.frogfurnishings.com

NOT TO SCALE
 Date: 02/2019

